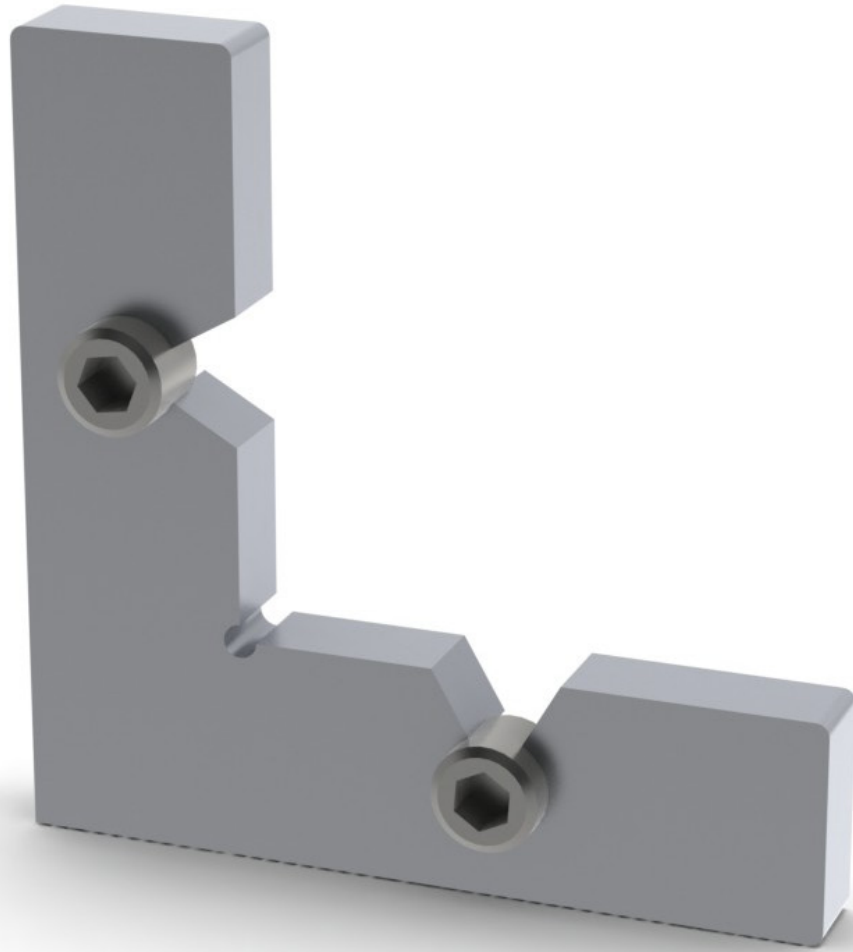


COUPLING 613



COUPLING 613

– strong and safe !

Our 613 coupling is manufactured from 8 mm thick aluminium making it a very strong and robust corner connector. Designed specifically to be used on our TX profiles where mitred corners are required.

The frames are assembled by sliding in the 613 coupling and simply tightening the grub screw with an Allen key.

The coupling offers a simple yet strong solution for assembly and disassembly of frames manufactured from Foga profiles.



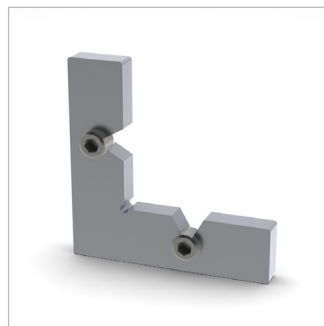
FACTS:

Made of aluminium.

Art No	Description	Size	Packaging
613	Coupling 613	60x8x60 mm	100 pcs



Mitered frame with coupling 613.



Coupling 613