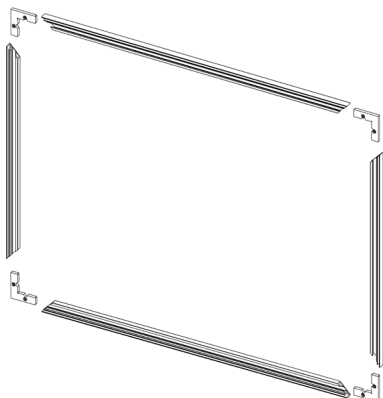


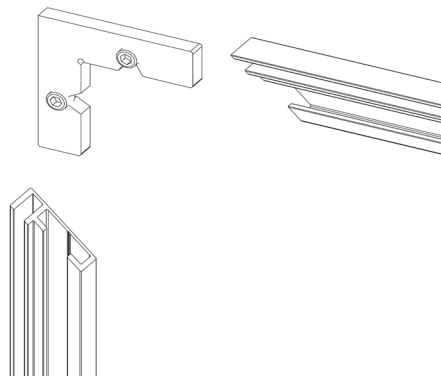
Mounting instruction

– Profil 01TX

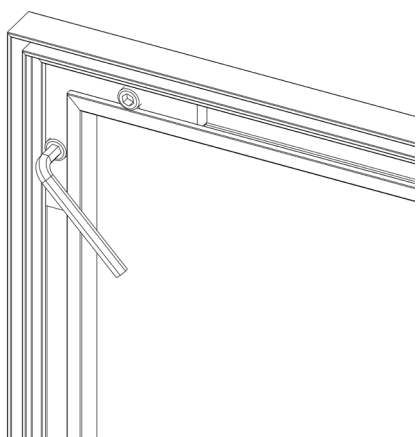
1.



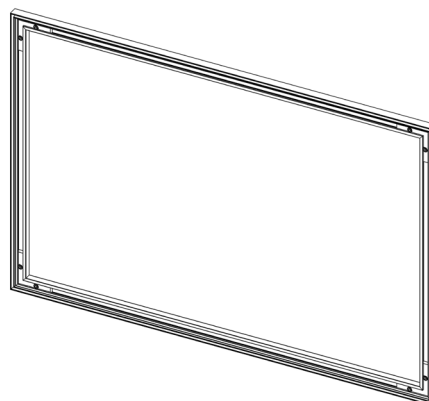
2.



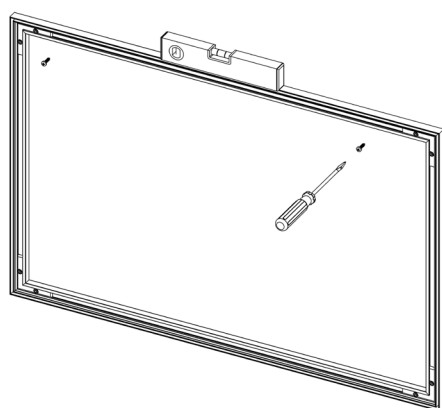
3.



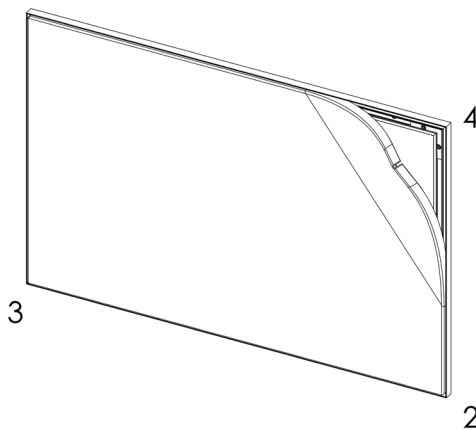
4.



5.



1



Start with corners!