

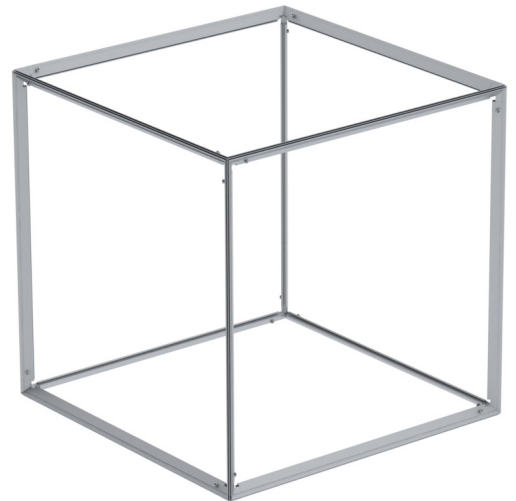
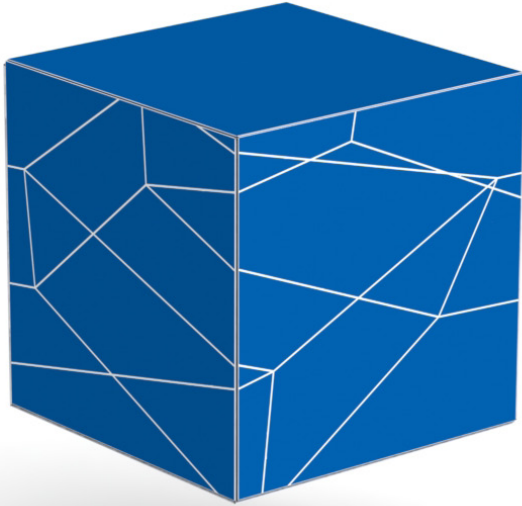
PROFILE 04TX FABRIC

– corner profile for fabric cubes !

The 04TX fabric corner profile makes seamless graphic cubes a reality.

With fabrics that extend all the way to the corner 04TX provides a seamless look while being easy to assemble – simply slide the profile onto the 3-way corner, manufactured from Zinc, and fix with the supplied screws.

The profile has also been developed to provide fantastic results for backlit products, either floor standing or suspended from the ceiling.

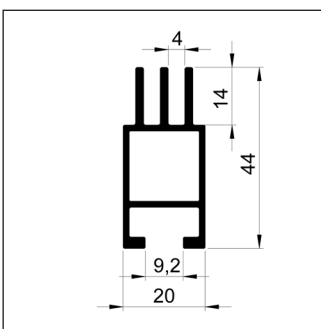


FACTS:

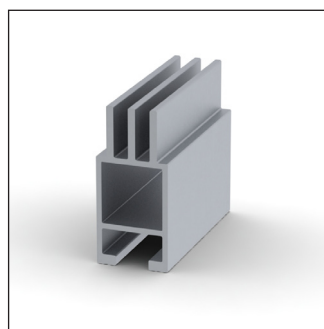
Natural anodised aluminium profile 04TX is supplied in 5 m stock lengths or can be cut to custom sizes. Inside beams are needed when construction is over 2,5x2,5 m , H=1m.

Recommended media: Stretch fabric

Art No	Description	Size	Packaging
873 804 22	Profile 04TX		100 m
	Corner joint for 04TX		



04TX profile dimensions



Profile 04TX



Corner joint before assembly



Corner joint once fully assembled