

EXHIBITION
DISPLAY
INTERIOR SOLUTIONS

PROFILE 41TX



The System with profile
since 1965

PROFILE 41TX FABRIC

– for slim lightboxes !

Profil 41TX is made for slim lightboxes. The LED are attached on the backwall of the frame to create a slim product. The high amount of LED will create a high brightness frames.

This lightbox is very thin, only 40 mm. You can use it for freestanding solutions or mount is on the wall. Use Dibond on the backside of the frame.

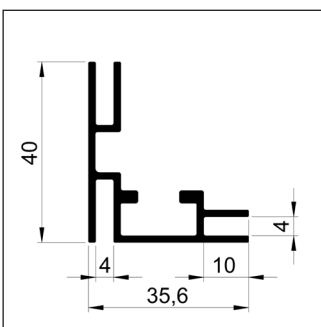


FACTS:

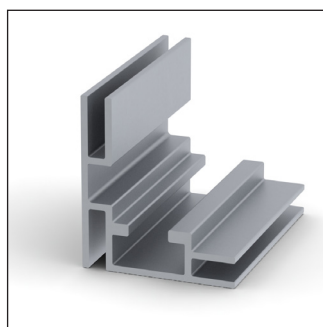
Natural anodised aluminium profile 41TX is supplied in 5 m stock lengths or can be cut to custom sizes.

Recommended media: Stretch fabric

Art No	Description	Size	Packaging
873 802 22	Profile 41TX		100 m
871 043 92	Corner coupling 613		



41TX profile dimensions



Profile 41TX



LED attached on the back



Use Dibond on the backside of the frame.