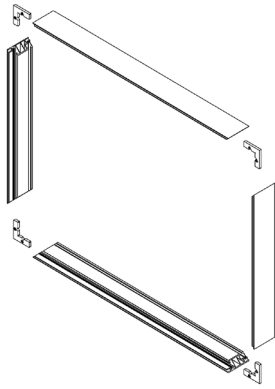


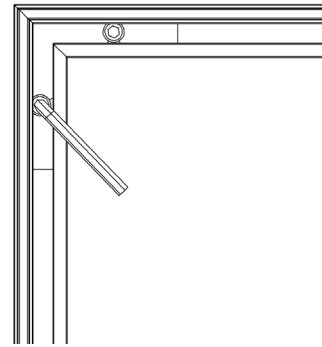
Mounting instruction

– Profil 01TX, 03TX, 43TX, 61TX, 81TX

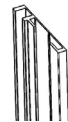
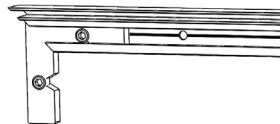
1.



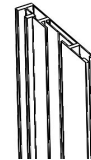
2.



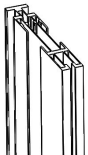
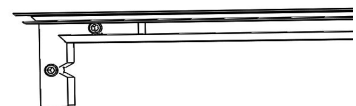
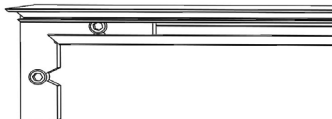
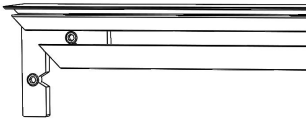
Find the right channel to mount the coupling in



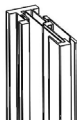
01TX



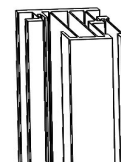
03TX



43TX

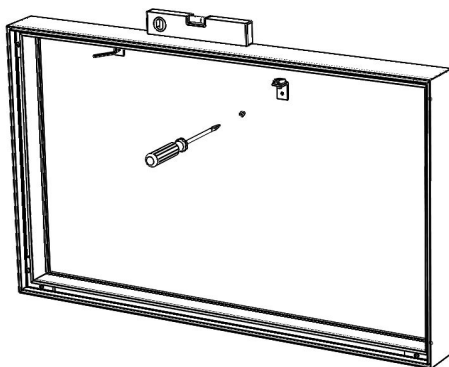


61TX



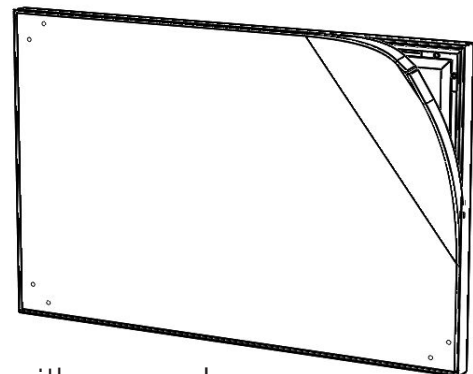
81TX

3.



Fastening optional
For 03TX, 43TX, 61TX, and 81TX

4.

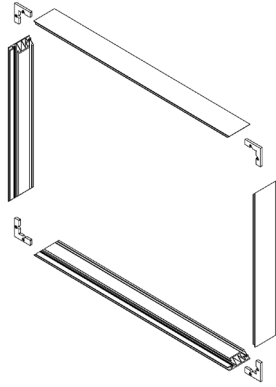


Start with corners!

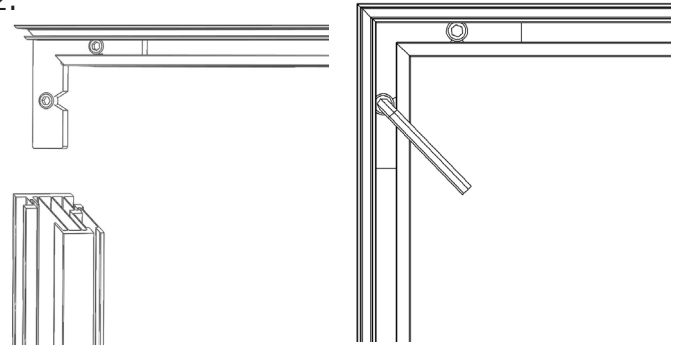
Mounting instruction

– Profil 81TX LED

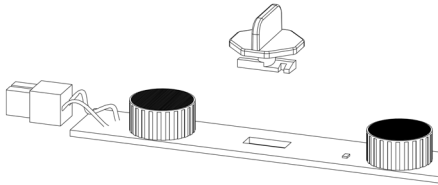
1.



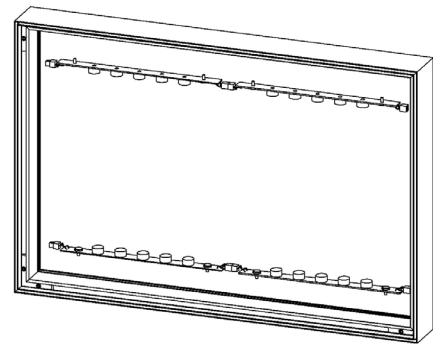
2.



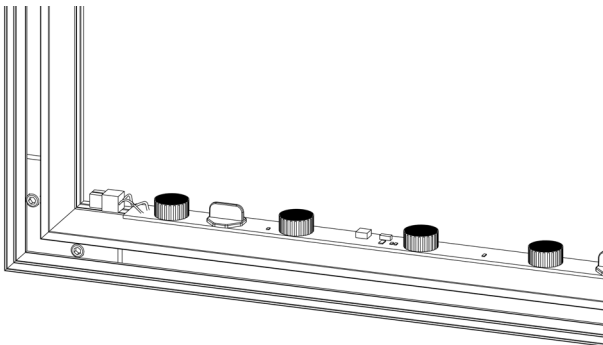
3.



4.



5.

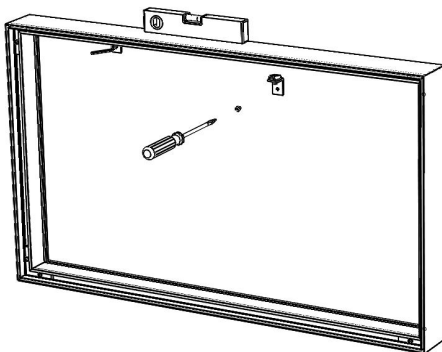


6.



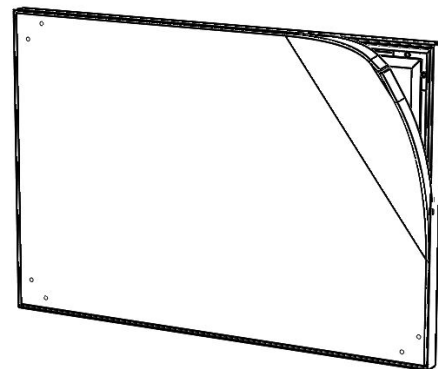
Max 6 modules in series!!

7.



Fastening optional

8.



Start with corners!