



PROFILE 81TX FABRIC

– create your light box !!

Profile 81TX has been created as a solution for LED illuminated Lightboxes. It can be used free standing with foot plates or be fixed to a wall.

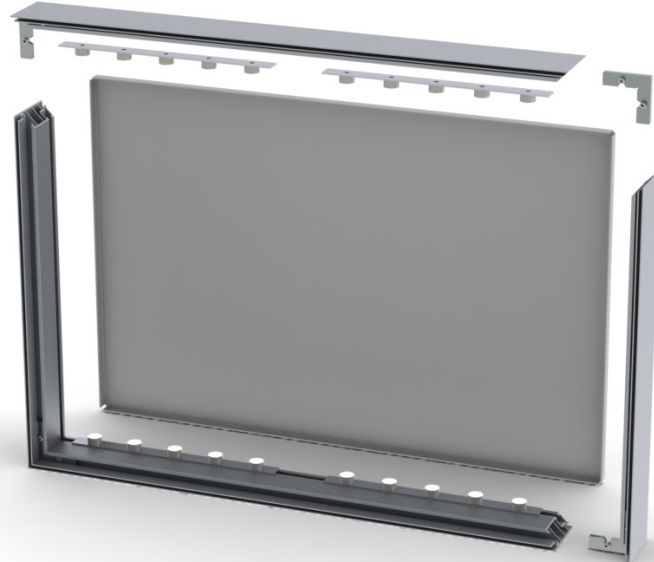
With an 80mm depth it will create a cost effective, elegant and attractive solution that will fit in anywhere.

The lights are fixed around the perimeter of the frame making it easy to manufacture custom sizes and making it easier to transport the light boxes.

For assembling the frame we use the 613 connector on the mitred corners.

The LED lights are supplied in 360mm long strips and fixed internally in the profile.

We can also supply the footplates for freestanding solutions

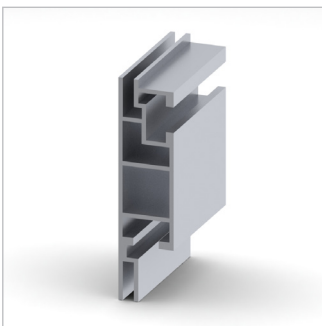


FACTS:

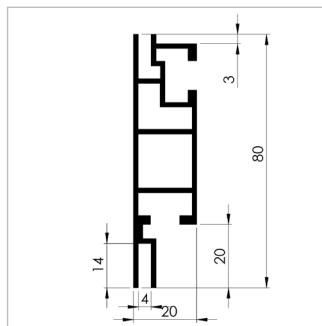
Natural anodised aluminium profile 81TX is supplied in 5m stock lengths or can be cut to custom sizes.

Recommended media: Stretch fabric

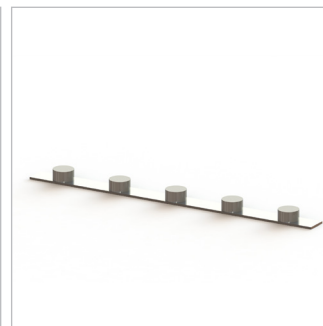
Art No	Description	Size	Packaging
81 TX	Profile 81TX	80x5000x20 mm	100 m
613	Coupling 613	60x7x60 mm	100 pcs
67150	LED light	360x22x15	



Profile 81TX.



81TX profile dimensions.



Cost and energy-effective solution with LED.



81TX with coupling 613.