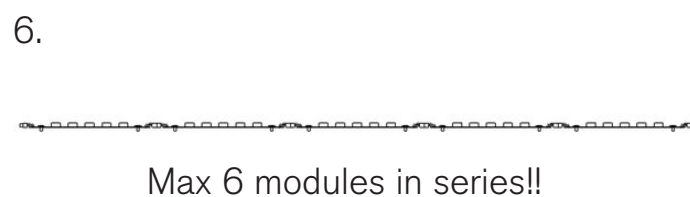
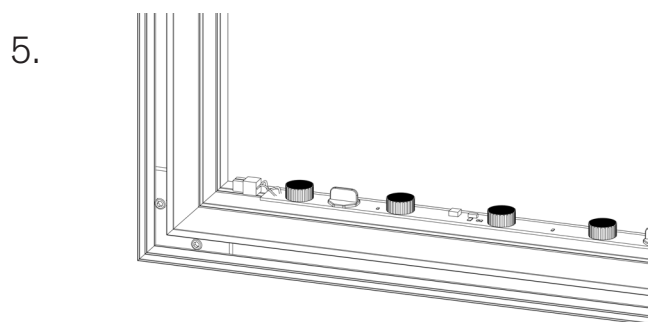
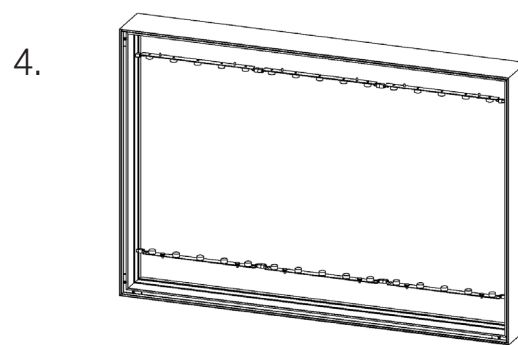
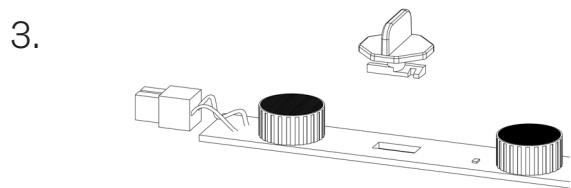
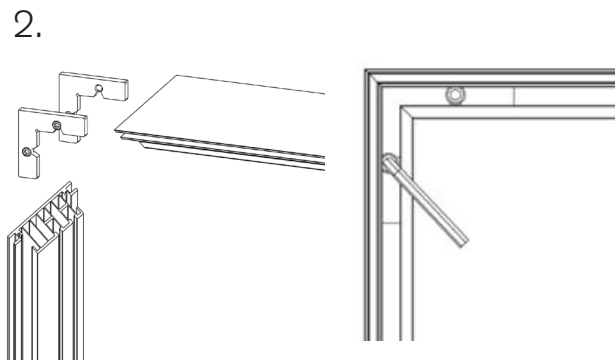
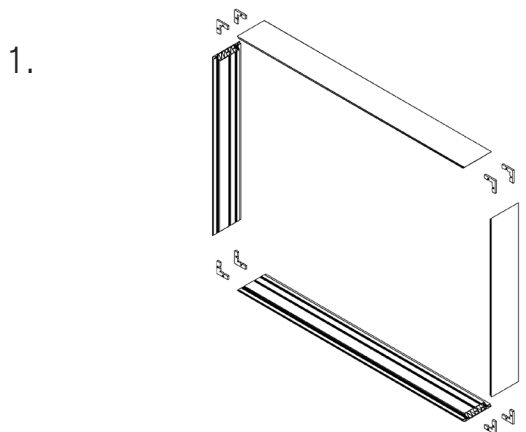
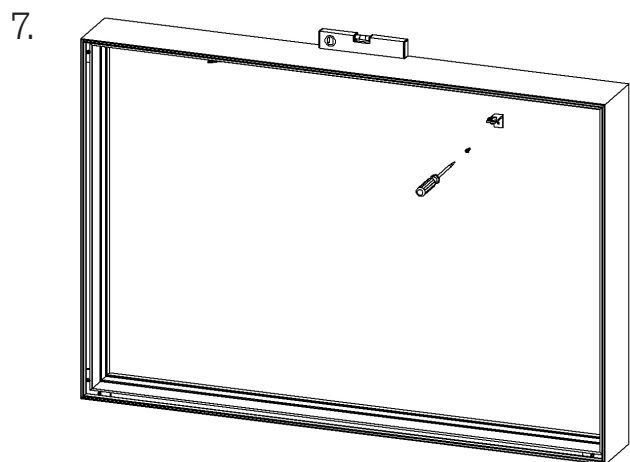


Mounting instruction

– Profil 120TX with LED



For doublesided lightbox use the middle channel.
For one sided lightbox use the back channel.



Fastening optional

